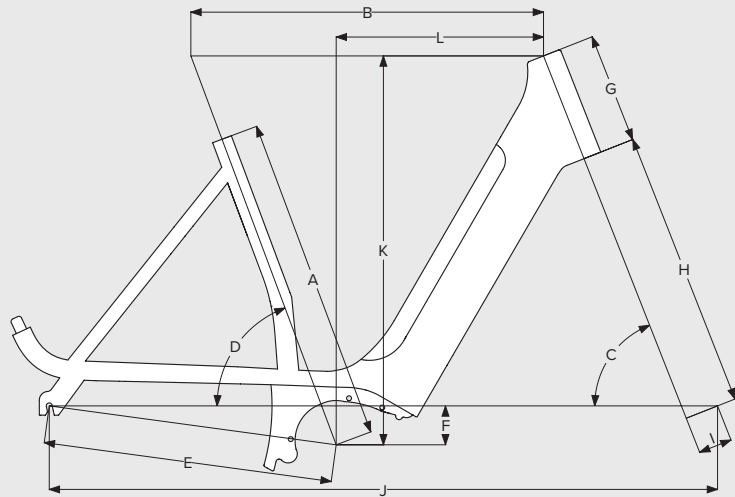


Geometry

The geometry of a bicycle is about more than just the size. With the geometry table you can make a proper comparison between the various frame sizes and bicycle models. This provides you with a clear picture of the sitting position and the bicycle's handling. The purpose of this is to provide your customer with even better advice.

Always bear in mind that different handlebars and (adjustable) stems can have a significant effect on the sitting position. This is not included in this table.



Avignon HMB

Frame size, low-step	S (46)	M (53)	L (57)
A Size (mm)	460	530	570
B Effective top tube length (mm)	595	595	620
C Head tube angle (°)	69	69	69
D Effective seat tube angle (°)	70	70	70
E Chain stay length (mm)	506	506	506
F BB Drop (mm)	68	68	68
G Head tube length (mm)	168	168	193
H Fork length (mm)	484	484	484
I Fork offset (mm)	50	50	50
J Wheelbase (mm)	1137	1137	1162
K Stack (mm)	656	656	680
L Reach (mm)	350	350	366