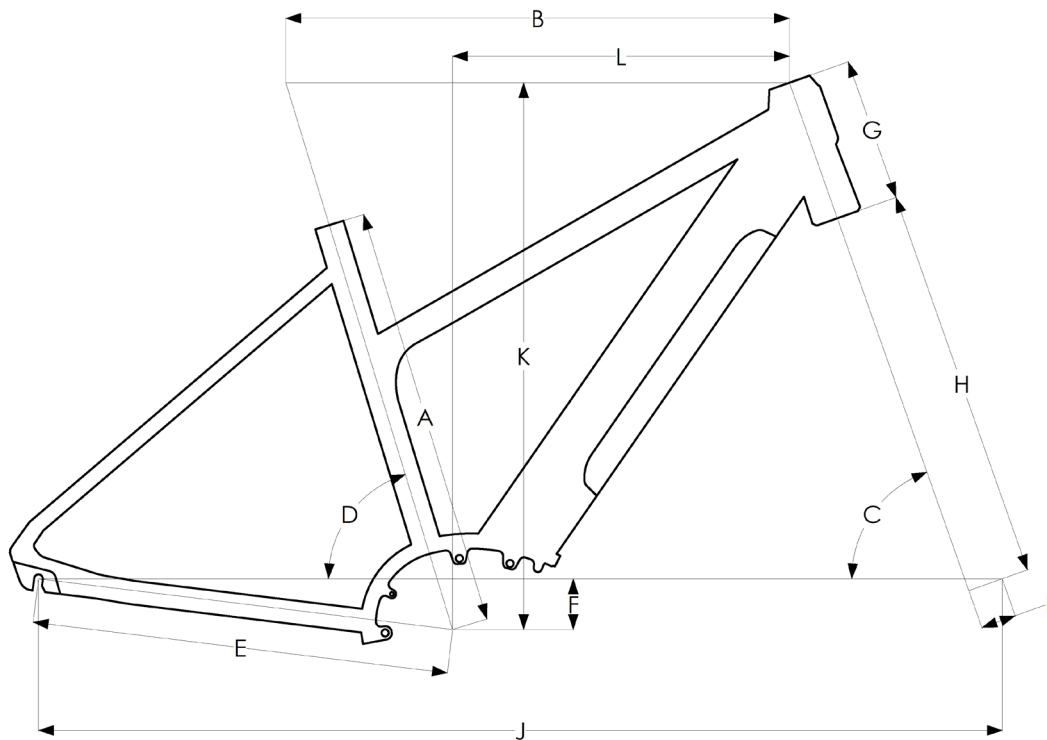


## Gazelle Medeo Geometry



Frame	Size	Standover (mm)
Medeo T9/T10/T0+ high-step	S (45)	723
Medeo T9/T10/T0+ high-step	M (50)	773
Medeo T9/T10/T0+ high-step	L (55)	823
Medeo T10/T10+ mid-step	S (45)	653
Medeo T10/T10+ mid-step	M (50)	663
Medeo T10/T10+ mid-step	L (55)	663
Medeo T9 low-step	S (45)	508
Medeo T9 low-step	M (50)	508
Medeo T9 low-step	L (55)	508



### Medeo T10+ HMB

Frame size	S (45)	M (50)	L (55)
<b>A</b> Size (mm)	450	500	550
<b>B</b> Effective top tube length (mm)	580	597	614
<b>C</b> Head tube angle (°)	70.5	70.5	70.5
<b>D</b> Effective seat tube angle (°)	73	73	73
<b>E</b> Chain stay length (mm)	460	460	460
<b>F</b> BB Drop (mm)	60	60	60
<b>G</b> Head tube length (mm)	160	170	170
<b>H</b> Fork length (mm)	464	464	464
<b>I</b> Fork offset (mm)	42	42	42
<b>J</b> Wheelbase (mm)	1090	1108	1125
<b>K</b> Stack (mm)	637	646	646
<b>L</b> Reach (mm)	385	399	417

### Medeo T9 HMB & T10 HMB

Frame size	S (45)	M (50)	L (55)
<b>A</b> Size (mm)	450	500	550
<b>B</b> Effective top tube length (mm)	580	597	614
<b>C</b> Head tube angle (°)	70.5	70.5	70.5
<b>D</b> Effective seat tube angle (°)	73	73	73
<b>E</b> Chain stay length (mm)	494	494	494
<b>F</b> BB Drop (mm)	60	60	60
<b>G</b> Head tube length (mm)	160	170	170
<b>H</b> Fork length (mm)	450	450	450
<b>I</b> Fork offset (mm)	60	60	60
<b>J</b> Wheelbase (mm)	1125	1142	1159
<b>K</b> Stack (mm)	637	646	646
<b>L</b> Reach (mm)	385	399	417