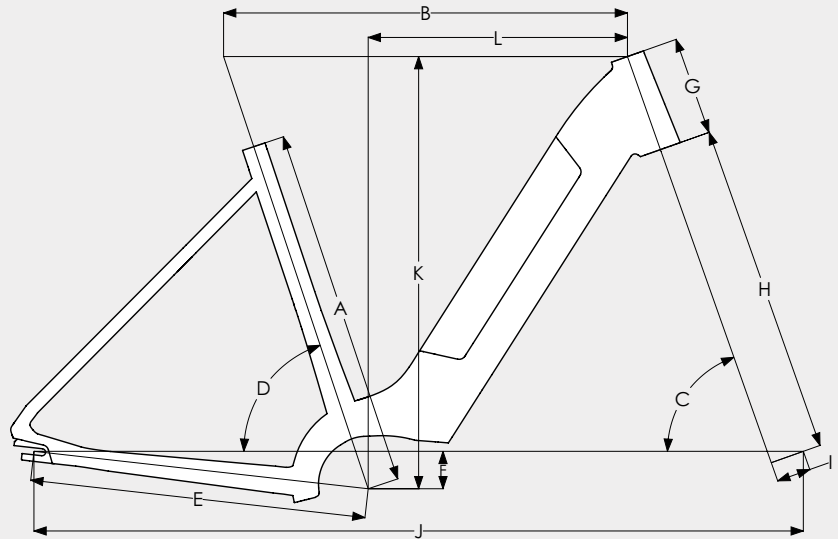


## Geometry

The geometry of a bicycle is about more than just the size. With the geometry table you can make a proper comparison between the various frame sizes and bicycle models. This provides you with a clear picture of the sitting position and the bicycle's handling. The purpose of this is to provide your customer with even better advice.

Always bear in mind that different handlebars and (adjustable) stems can have a significant effect on the sitting position. This is not included in this table.



### Ultimate C380, C5 en T10 | Ultimate C8+ HMB Belt\*

Frame size	XS (46)		S (49)		M (53)		L (57)		XL (61)		XXL (65)	
<b>A</b> Size (mm)	460		490		530		570		610		650	
<b>B</b> Effective top tube length (mm)	603	593*	603	593*	603	593*	623	613*	623	613*	623	613*
<b>C</b> Head tube angle (°)	70,5		70,5		70,5		70,5		70,5		70,5	
<b>D</b> Effective seat tube angle (°)	71,5		71,5		71,5		71,5		71,5		71,5	
<b>E</b> Chain stay length (mm)	494		494		494		494		494		494	
<b>F</b> BB Drop (mm)	55		55		55		55		55		55	
<b>G</b> Head tube length (mm)	150	145*	150	145*	150	145*	170	165*	170	165*	170	165*
<b>H</b> Fork length (mm)	485		485		485		485		485		485	
<b>I</b> Fork offset (mm)	50		50		50		50		50		50	
<b>J</b> Wheelbase (mm)	1141	1131*	1141	1131*	1141	1131*	1161	1151*	1161	1151*	1161	1151*
<b>K</b> Stack (mm)	639	635*	639	635*	639	635*	659	653*	659	653*	659	653*
<b>L</b> Reach (mm)	389	381*	389	381*	389	381*	403	394*	403	394*	403	394*